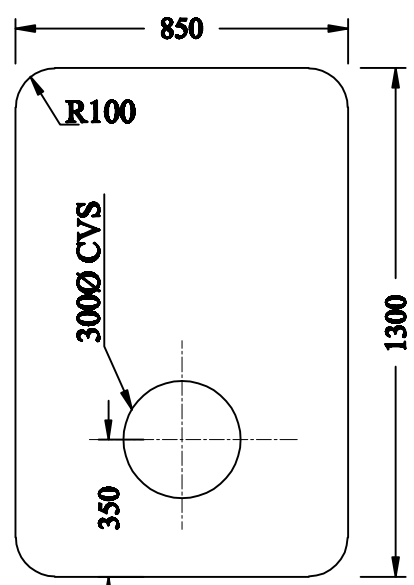
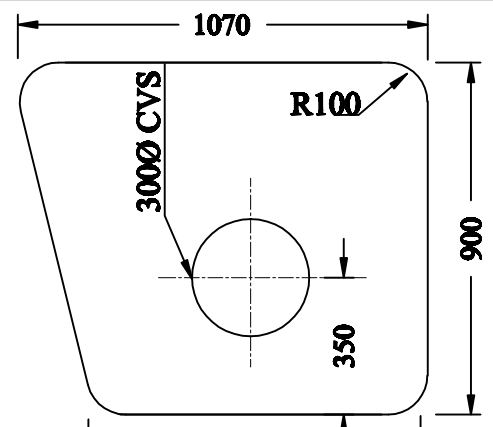


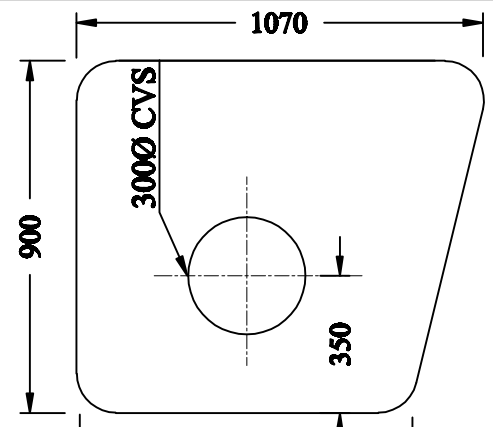
Sl.No.5 - 2 Nos.



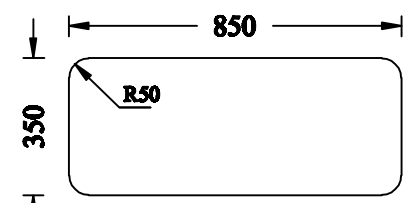
Sl.No.5a - 1 No.



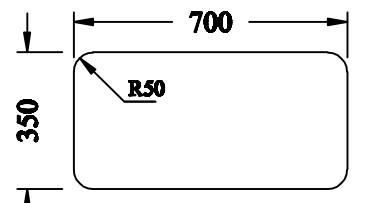
Sl.No.6.1 - 2 Nos.
(FOR PORT BHD.-1 No. & STBD.BHD.-1 No.)



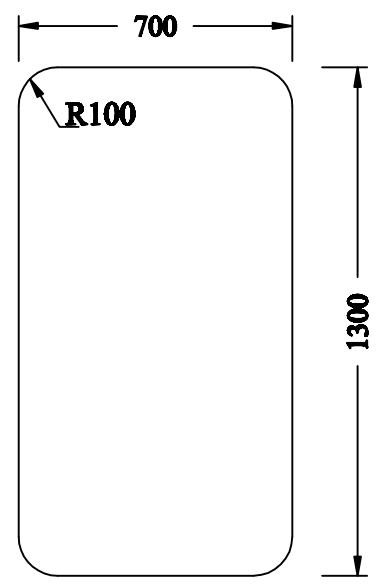
Sl.No.6.2 - 2 Nos.
(FOR PORT BHD.-1 No. & STBD.BHD.-1 No.)



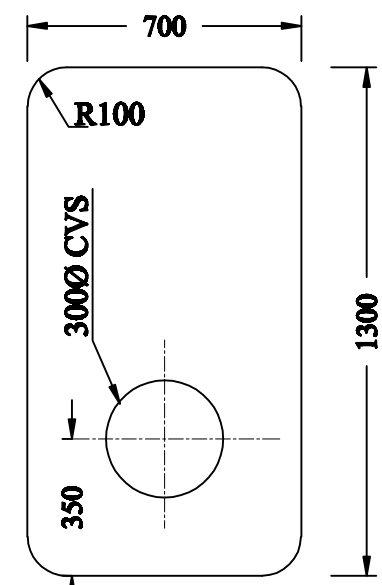
Sl.No.10 - 5 Nos.



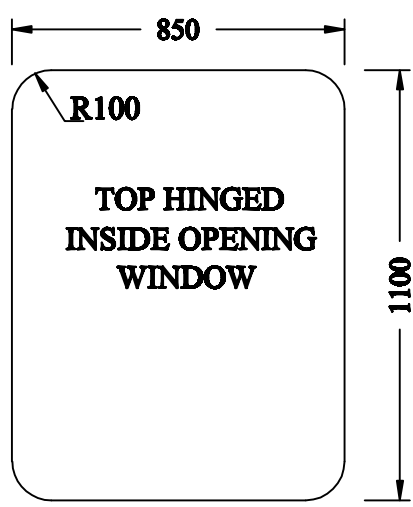
Sl.No.11 - 4 Nos.



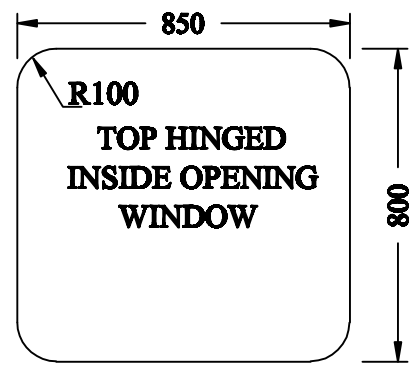
Sl.No.7.1 - 2 Nos.



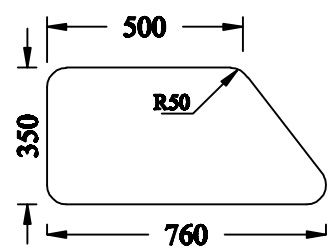
Sl.No.7.2 - 2 Nos.



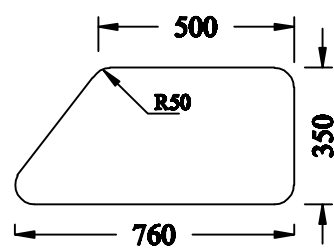
Sl.No.8 - 2 Nos.



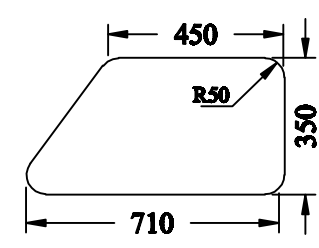
Sl.No.9 - 2 Nos.



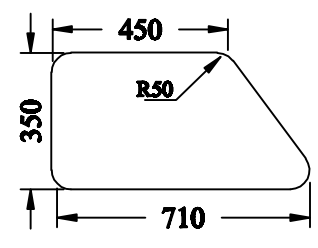
Sl.No.14.1 - 1Nos.
(FOR STBD BHD.-1 No.)



Sl.No.14.2 - 1 Nos.
(FOR PORT BHD.-1 No.)

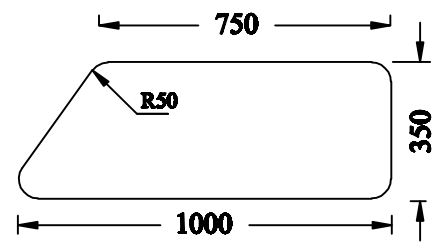


Sl.No.14.1a - 1Nos.
(FOR PORT BHD.-1 No.)

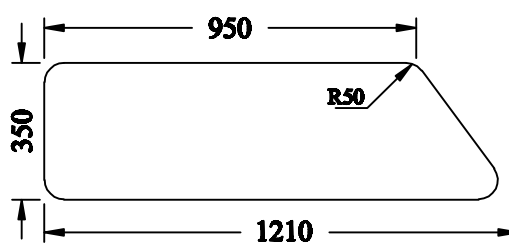


Sl.No.14.2a - 1 Nos.
(FOR STBD BHD.-1 No.)

- NOTES:**
- 1) ALL DIMENSIONS ARE IN MM.
 - 2) THE DIMENSIONS SHOWN ARE CLEAR GLASS SIZES.
 - 3) QUANTITY SHOWN PER SHIP.




Sl.No.12 - 2Nos.
(FOR PORT BHD.-1 No. & STBD.BHD.-1 No.)



Sl.No.13 - 2Nos.
(FOR PORT BHD.-1 No. & STBD.BHD.-1 No.)

	INITIAL	DATE		SEAFREER	BRAYAN	S.D.MSE	05-11-2011	C
DRAWN	S.Srinu.	06-6-2011	DRG. AND MATERIAL LIST HAS BEEN REVISED AS PER OWNERS FAX DTD: 02-11-2011.					
CHECKED	G.M.R.	06-6-2011	DRG. MODIFIED AS PER OWNERS COMMENTS VIDE THEIR LTR. DTD. 18-08-2011.	SEAFREER	M.S.N	S.D.MSE	23-9-2011	B
APPROVED	M.S.Naidu.	06-6-2011						

	HINDUSTAN SHIPYARD LTD. VISAKHAPATNAM, INDIA		SCALE NTS DEPT W.D.A	SHIP NO. 11162-64
	WINDOW GLASS SHAPES			SKETCH NO: WDA/11162-64/001 C
SHEET NO. 1 OF 1				